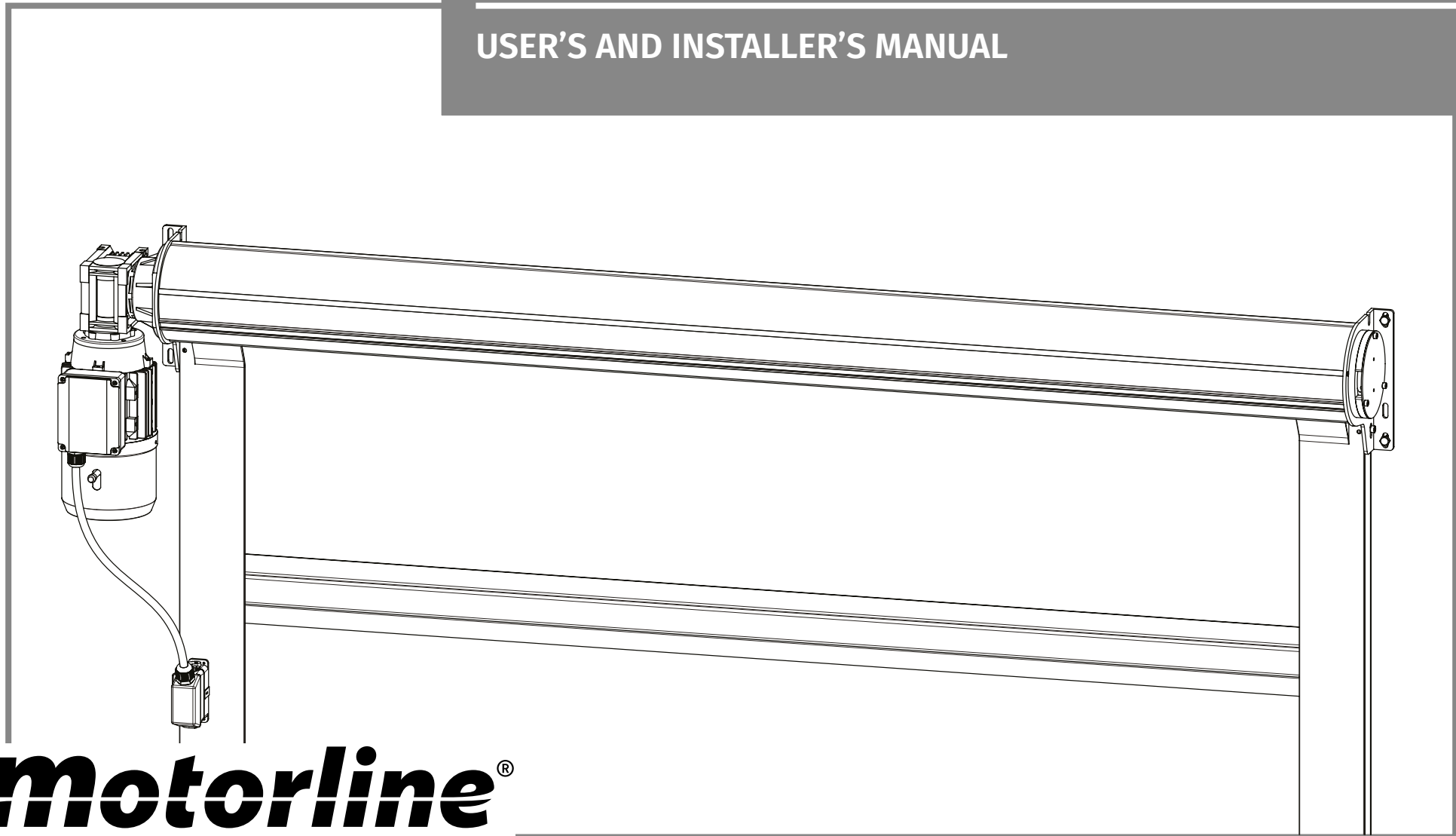




ECO FAST DOOR

USER'S AND INSTALLER'S MANUAL



motorline[®]
PROFESSIONAL

00. CONTENT

INDEX

01. SAFETY INSTRUCTIONS	
STANDARDS TO FOLLOW	1B
02. THE PACKAGE	
INSIDE THE PACKAGE	2A
03. THE AUTOMATISM	
TECHNICAL SPECIFICATIONS	2B
04. INSTALLATION	
PRE-INSTALLATION INFO	3B
MANUAL OPENING/CLOSING	3B
SAFE PROFILE FIXATION	4A
LATERAL GUIDES FIXATION	5A
CONTROL BOARD FIXATION	6A
LIMIT-SWITCHES ADJUSTMENT	6B
INSTALLATION MAP	7A

01. SAFETY INSTRUCTIONS

STANDARDS TO FOLLOW

ATTENTION:

Importance of the Manual:

- It is important for your safety that these instructions are followed.
- Keep these instructions in a safe place for future reference.

Responsibility:

- The **ELECTROCELOS S.A.** is not responsible for the improper use of the product, or other use than that for which it was designed.
- The **ELECTROCELOS S.A.** is not responsible if safety standards were not taken into account when installing the equipment, or for any deformation that may occur.
- The **ELECTROCELOS S.A.** is not responsible for insecurity and malfunction of the product when used with components that were not sold by the them.

Mechanism use:

- This product was designed and manufactured strictly for the use indicated in this manual.
- This control board is not appropriate for inflammable or explosive environments.
- Any other use not expressly indicated may damage the product and / or can cause physical and property damages, and will void the warranty.
- Do not make any changes to the automation components and / or their accessories.
- Central for indoor use with 230V connection.
- Keep remote controls away from children, to prevent the automated system from being activated involuntarily.
- The customer shall not, under any circumstances, attempt to repair or tune the automatism. Must call qualified technician only.

To Installer:

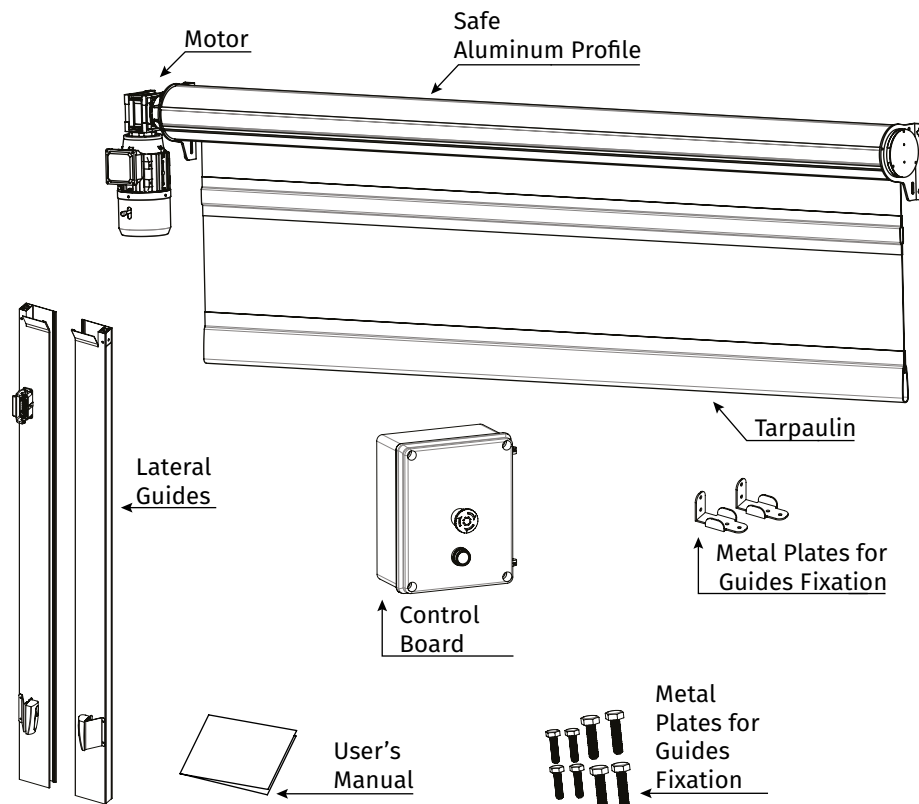
- The installer must have certified professional knowledge at the level of mechanical assemblies in doors and gates and control board programming. He should also be able to perform electrical connections in compliance with all applicable regulations.
- The installer should inform the customer how to handle the product in an emergency and provide him the manual.

02. PACKAGE

INSIDE PACKAGE

Inside the package you will find the following components:

- 01 Motor
- 02 Lateral Guides
- 01 Safe aluminum profile
- 01 Tarpaulin
- 01 Control board
- 01 Photocells Set MF101
- 01 Exterior Push Button
- 01 Metal Plates for Guides Fixation
- 01 User's Manual



03. AUTOMATISM

TECHNICAL SPECIFICATIONS

Eco fast doors are built in special aluminum profiles with white power coating finish and suitable for areas with low wind pressure. With 3 reinforcement bars.



• Power supply	230V 50/60Hz
• Power	370W
• Current	1,92A
• RPM	132RPM
• Noise level	<60dB
• Torque	18,1Nm
• Working temperature	-30°C a 70°C
• Protection level	IP55
• Working frequency	Intensiva
• Isolation class	Classe F

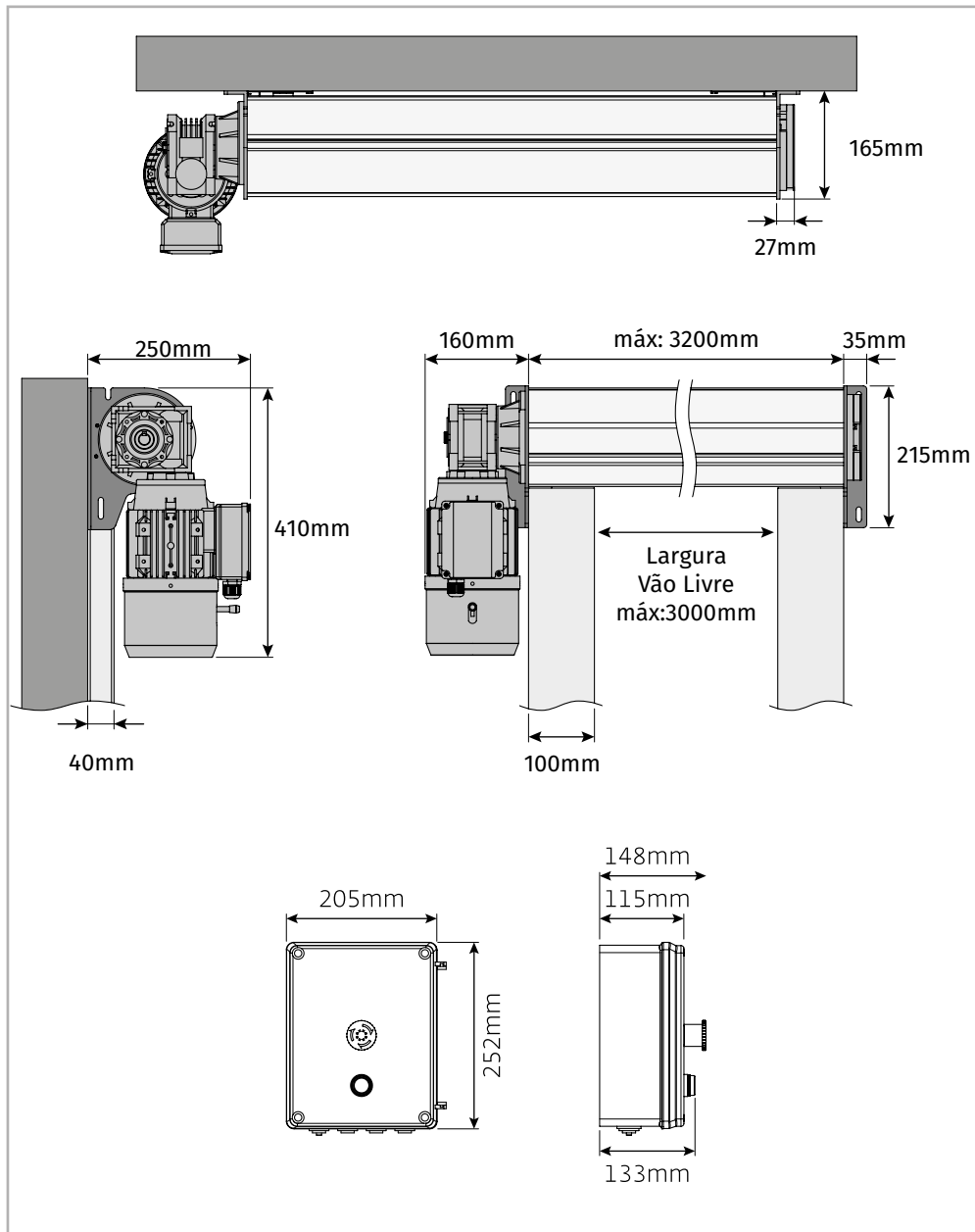


TARPAULIN

• Fio	1100 dtex PES HT
• Peso	670g/m ²
• Resistência à tração	2800N/5cm
• Resistência ao rasgo	300N
• Aderência	90N/5cm
• Acabamento	Verniz em ambos os lados
• Temperatura de funcionamento	-30°C a 70°C

03. AUTOMATISM

CARACTERÍSTICAS TÉCNICAS



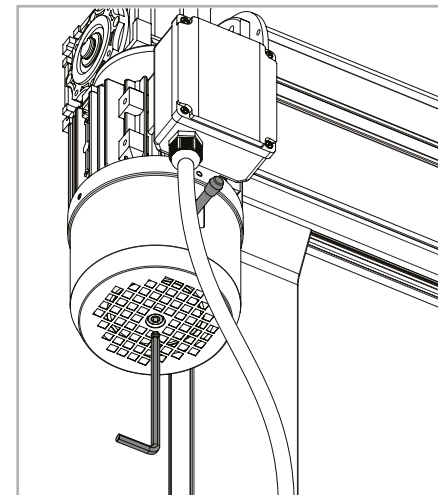
04. INSTALLATION

PRE-INSTALLATION INFO

For a proper **ECO FAST DOOR** function, check the following parameters before installing the automatism:

- Read all steps at least once in order to get familiar with the installation and configuration process.
- Check the horizontal alignment of the ground so that the door can be correctly assembled.
- Make sure there is an adequate protection against electrical shorts / current peaks and ground wire connection in Electrical Box.
- Be careful handling directly the control board. Improper handling can damage some electrical components and even cause damage to the user.
- Make sure you have all the necessary materials prepared for installation.
- Evaluate the safety devices to be installed. This will ensure that unexpected accidents do not happen.

MANUAL OPENING/CLOSING



To open or close the door manually, simply pull and hold down the unlock lever in the shaded image and use a 6mm hexagon wrench to rotate the screw installed in the bottom of the engine, as shown on the image.

- Rotating to the right will open the door and Rotating to the left will close it.

To facilitate the task use an automatic screw machine, in order to rapidly rotate the screw.

- For every 10 turns, the door will go up/down about 250mm.

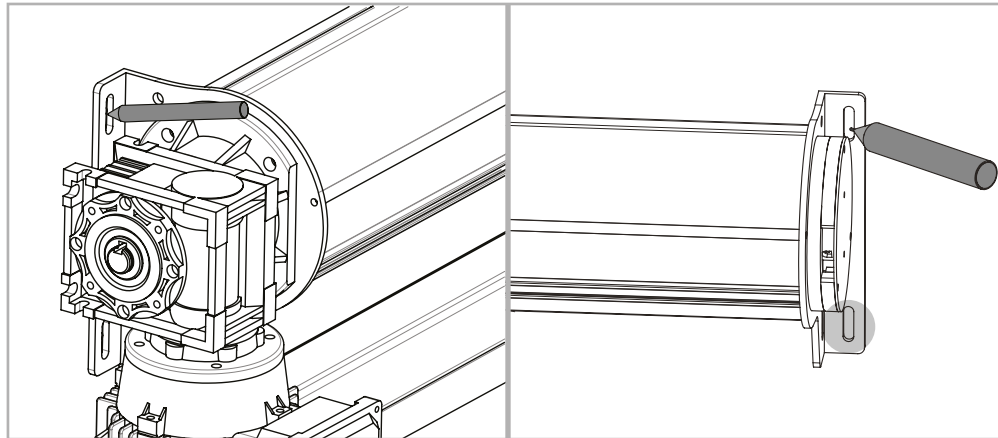
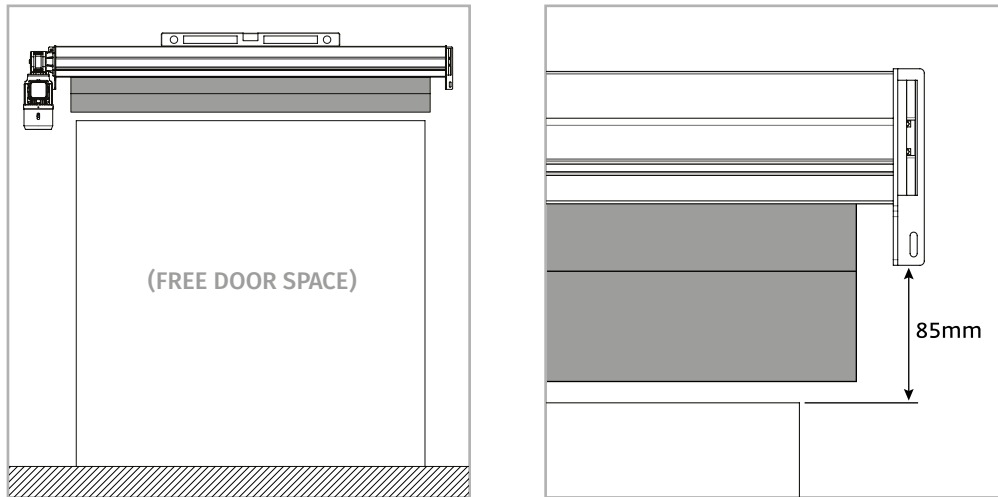


It is very important that all precautions are respected!

Only in this way the correct functioning and durability of automatism can be achieved!

04. INSTALLATION

SAFE PROFILE FIXATION

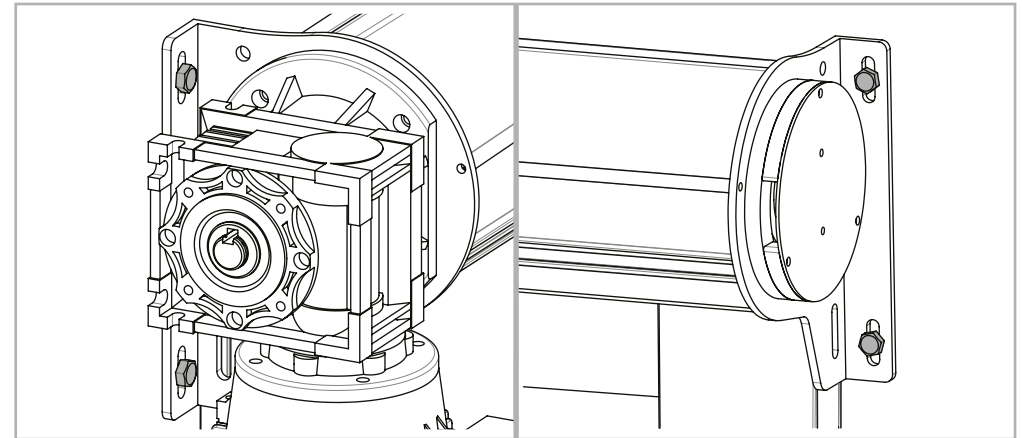
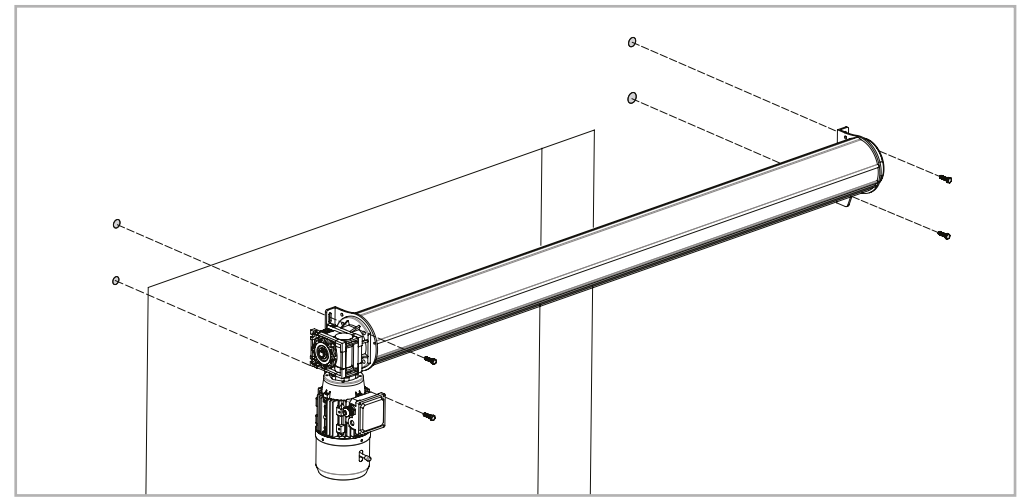


1 • Apply the safe aluminum profile in the wall's installation location as shown in (A), taking into account the horizontal position and the measures indicated in (B). The safe should also be centered with the door's free space.

Based on existing holes in the support plates, mark the locations for drilling - scheme (C).

04. INSTALLATION

SAFE PROFILE FIXATION

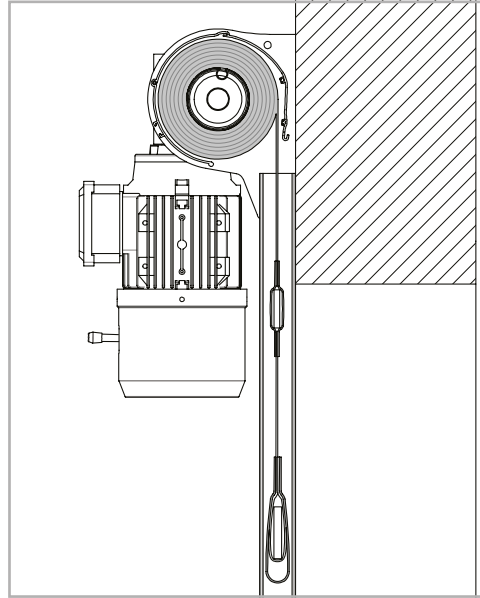
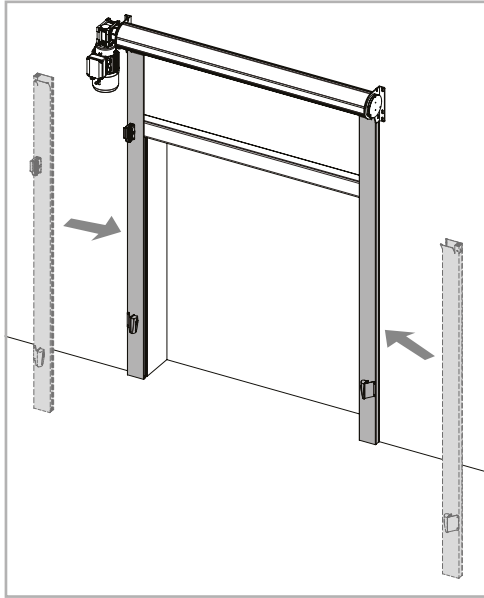


2 • Make holes at the marked locations, and then apply the safe profile on the wall and secure with expansion bolts and screws - scheme (D). The safe must be firmly fixed so that accidents do not occur.

In the scheme (E) is visible the safe already properly tightened.

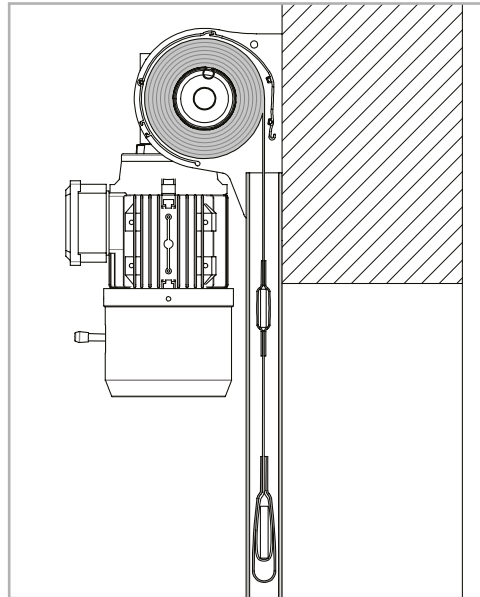
04. INSTALLATION

LATERAL GUIDES FIXATION



3 • Unlock the motor pulling the lever down (see page 06.A 05) and manually pull the tarpaulin down for about 500mm as visible in (F).

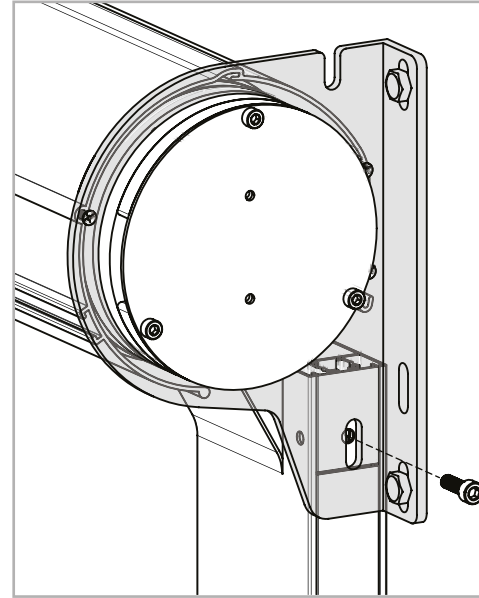
Now apply the lateral guides, by placing them at the inner side of the support plates and against the wall (G). The tarpaulin should be inside the guides (H), so that it can move up and down always within guides.



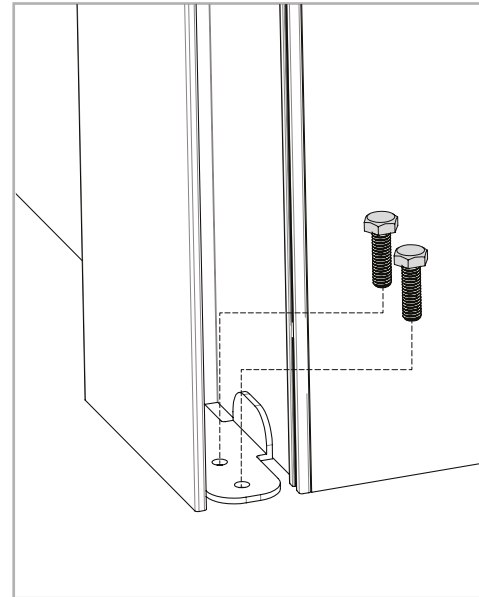
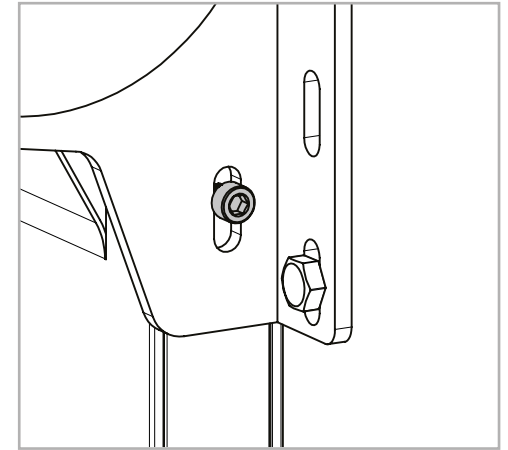
5A
EN

04. INSTALLATION

LATERAL GUIDES FIXATION



4 • Attach the lateral guides on the support plates with screw, tightening them in the nuts located on the guides.

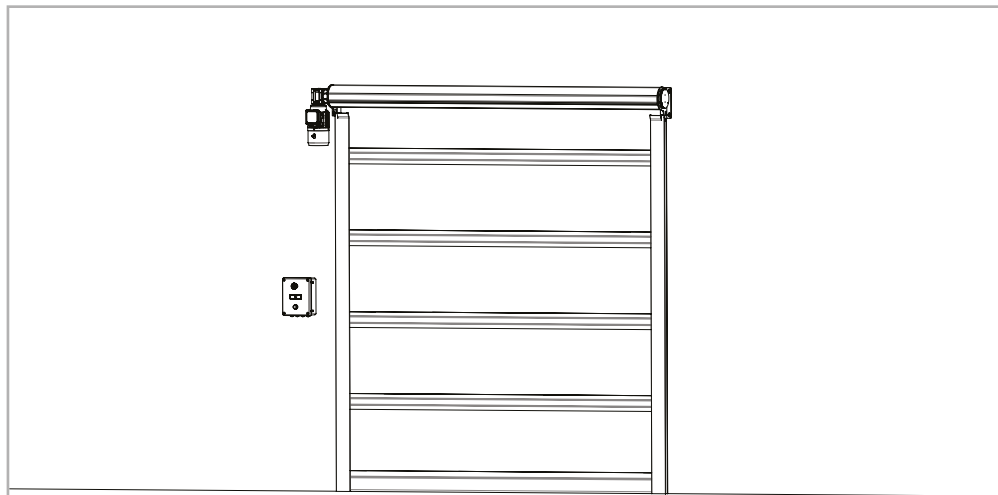
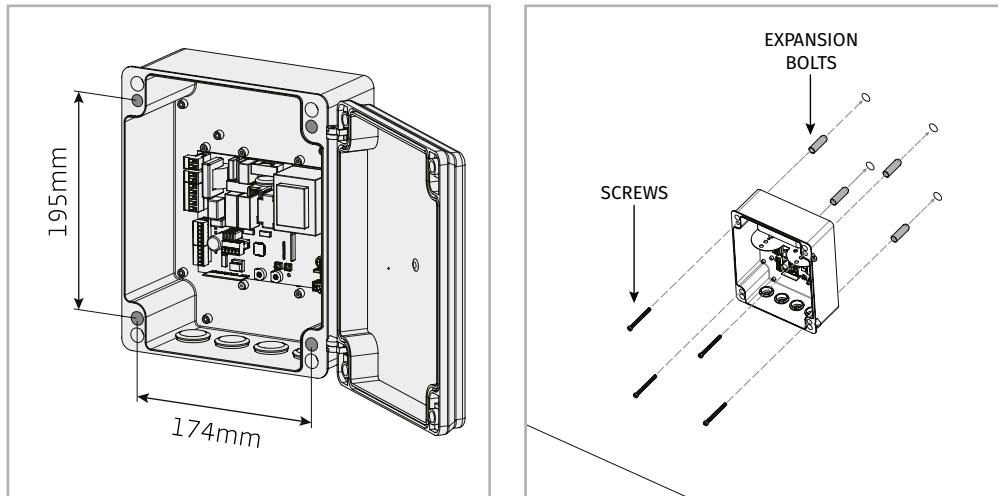


5 • Fix the lateral guides to the ground using the existing plates. Start by making the holes in the ground using the existing holes on plates for the application of screws. Finally, fasten the screws until the guide is properly secure.

5B
EN

04. INSTALLATION

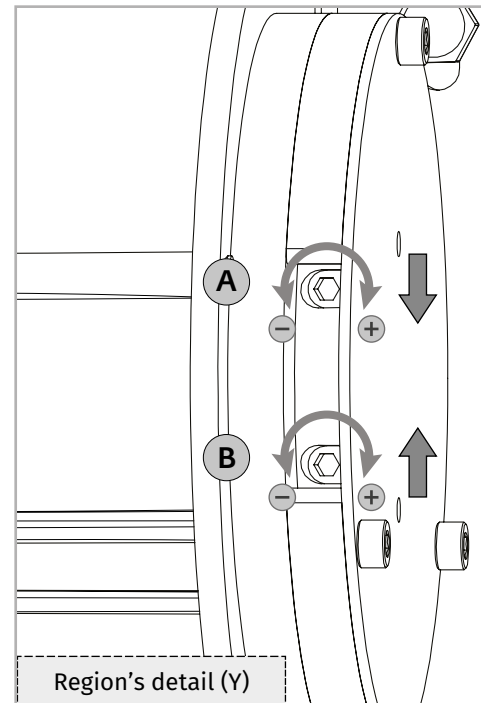
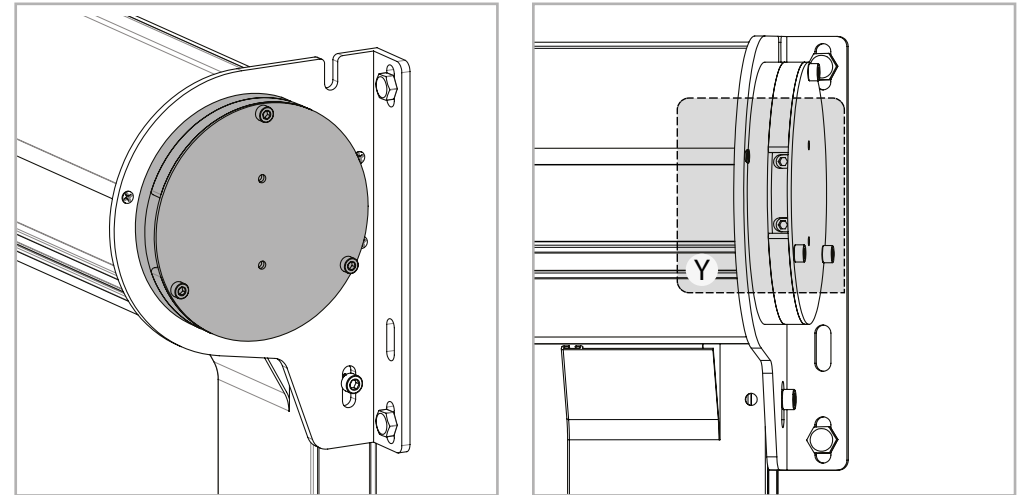
CONTROL BOARD FIXATION



- 1 • Taking into account the indicated measures, determine the drilling location.
- 2 • Make the drilling in the wall.
- 3 • Fix the control board case on the wall. Must use screws with expansion bolts (screws and expansion bolts not provided in this kit).

04. INSTALLATION

LIMIT-SWITCHES ADJUSTMENT



A • Closing limit-switch

- Turn clockwise to increase course.
- Rotate counterclockwise to decrease course.

B • Opening limit-switch

- Turn clockwise to increase course.
- Rotate counterclockwise to decrease course.

NOTE • The limit-switches will already be adjusted from factory to the door dimensions.

04. INSTALLATION

INSTALLATION MAP

