



TUBULAR

USER/INSTALLER MANUAL



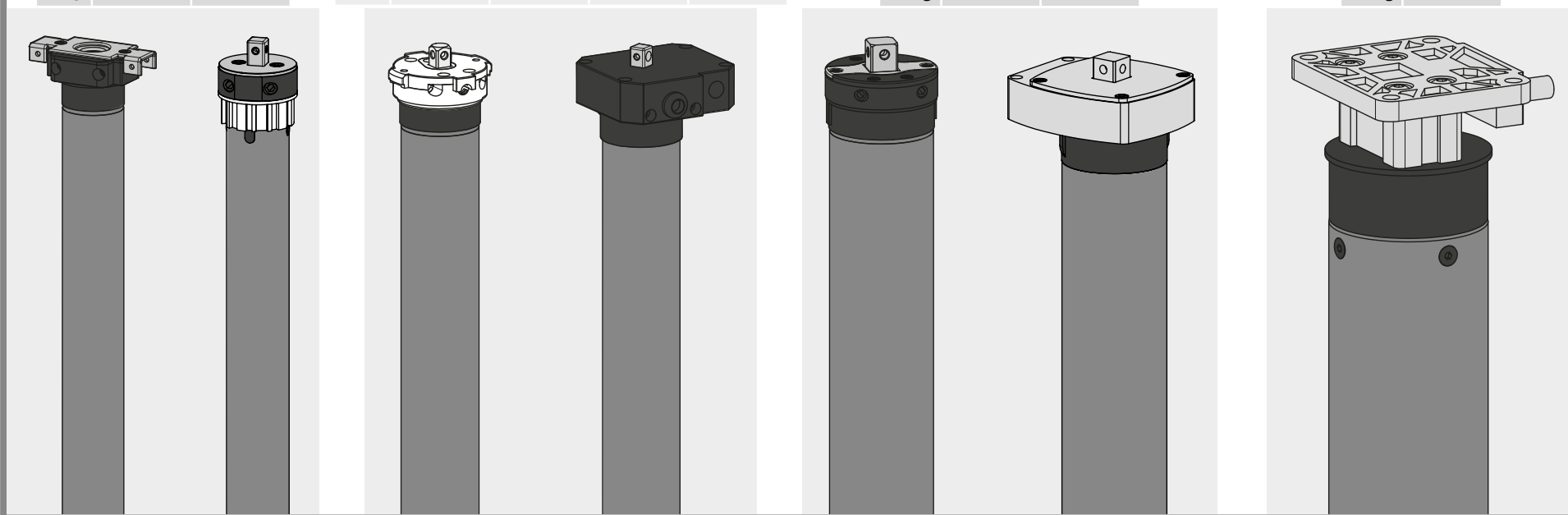
v2.0
REV. 12/2016

ø35 mm		
10kg	TUB10R	TUB20R
20kg	TUB20	TUB20EFRA

ø45 mm				
25kg	TUB25E	TUB25EFRA	TUB25 24V	TUB25CUT
35kg	TUB35E	TUB35EFRA	-	-
50kg	TUB50E	TUB50EFRA	TUB50MT	-
70kg	TUB70E	TUB70EFRA	-	-
90kg	TUB90E	TUB90EFRA	TUB90MT	-

ø59 mm		
140kg	TUB140	TUB140MT
180kg	TUB180	TUB180MT

ø92 mm	
300kg	TUB300E
600kg	TUB600E

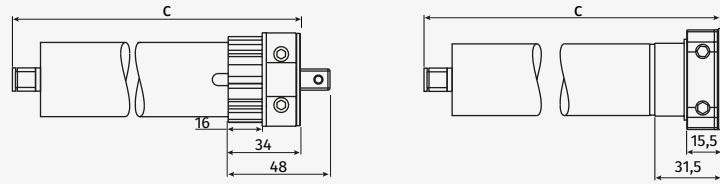


00. THE AUTOMATISM

MOTORS MODELS AND REFERENCES

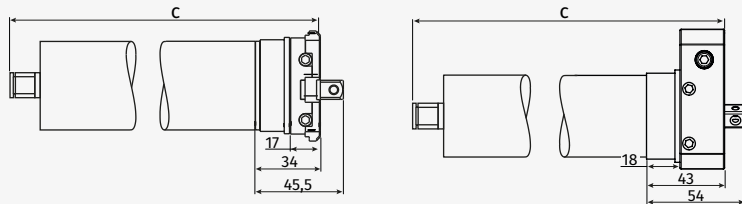


∅
35mm



TUB10R	230V AC 50Hz	6 Nm	17 RPM	<43 dB	4 min.	0.65 A	555 mm
TUB20R	230V AC 50Hz	10 Nm	17 RPM	<43 dB	4 min.	0.65 A	545 mm
TUB20	230V AC 50Hz	10 Nm	17 RPM	<43dB	4 min.	0.65 A	515 mm
TUB20E FRA	230V AC 50Hz	10 Nm	17 RPM	<43 dB	4 min.	0.56 A	611 mm

∅
45mm



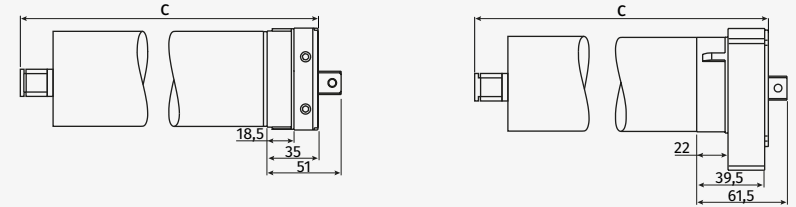
TUB25E	230V AC 50Hz	18 Nm	17 RPM	<43 dB	4 min.	0.72 A	463 mm
TUB35E	230V AC 50Hz	20 Nm	17 RPM	<43 dB	4 min.	0.88 A	463 mm
TUB50E	230V AC 50Hz	30 Nm	17 RPM	<43dB	4 min.	1.03 A	483 mm
TUB70E	230V AC 50Hz	40 Nm	15 RPM	<43 dB	4 min.	1.1 A	511 mm
TUB90E	230V AC 50Hz	40 Nm	18 RPM	<43 dB	4 min.	1.22 A	511 mm
TUB25E FRA	230V AC 50Hz	50 Nm	17 RPM	<43 dB	4 min.	0.72 A	561 mm
TUB35E FRA	230V AC 50Hz	18 Nm	17 RPM	<43 dB	4 min.	0.88 A	561 mm
TUB50E FRA	230V AC 50Hz	20 Nm	17 RPM	<43 dB	4 min.	1.03 A	592 mm
TUB70E FRA	230V AC 50Hz	30 Nm	15 RPM	<43 dB	4 min.	1.1 A	631 mm
TUB90E FRA	230V AC 50Hz	40 Nm	12 RPM	<43 dB	4 min.	1.22 A	631 mm
TUB25 24V	230V AC 50Hz	50 Nm	17 RPM	<43 dB	4 min.	0.72 A	540 mm
TUB25 CUT	230V AC 50Hz	18 Nm	17 RPM	<43 dB	4 min.	0.72 A	395 mm
TUB50MT	230V AC 50Hz	18 Nm	17 RPM	<43 dB	4 min.	1.03 A	620 mm
TUB90MT	230V AC 50Hz	30 Nm	12 RPM	<43 dB	4 min.	1.22 A	591 mm

00. THE AUTOMATISM

MOTORS MODELS AND REFERENCES

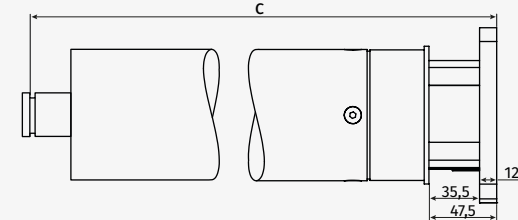


∅
59mm



TUB140	230V AC 50Hz	80 Nm	10 RPM	<50 dB	4 min.	1.65 A	607 mm
TUB180	230V AC 50Hz	120 Nm	10 RPM	<50 dB	4 min.	1.8 A	607 mm
TUB140MT	230V AC 50Hz	80 Nm	10 RPM	<50 dB	4 min.	1.65 A	604 mm
TUB180MT	230V AC 50Hz	120 Nm	10 RPM	<50 dB	4 min.	1.8 A	688 mm

∅
92mm



TUB300	230V AC 50Hz	180 Nm	10 RPM	<65 dB	4 min.	2.7 A	635 mm
TUB600	230V AC 50Hz	300 Nm	6 RPM	<65 dB	4 min.	2.8 A	663 mm

Standard Model- Motor with mechanical limit switch, without handle and without control board.
FRA Model- Motor with built-in control board.
MT Model- Motor with handle to manually open / close.
FRA MT Model- Motor with handle and built-in control board.
CUT Model- Reduced length motor (external capacitor).



All our motors use mechanical limit switches.

01. PRE INSTALLATION

STANDARDS TO FOLLOW

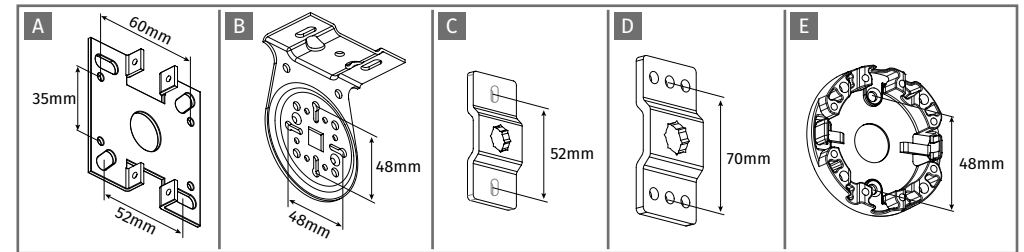
ATTENTION:

	This product is certified in accordance with European Community (EC) safety standards.
RoHS	This product complies with Directive 2011/65 / EU of the European Parliament and of the Council, of 8 June 2011, on the restriction of the use of certain hazardous substances in electrical and electronic equipment.
	(Applicable in countries with recycling systems). This marking on the product or literature indicates that the product and electronic accessories (eg. Charger, USB cable, electronic material, controls, etc.) should not be disposed of as other household waste at the end of its useful life. To avoid possible harm to the environment or human health resulting from the uncontrolled disposal of waste, separate these items from other types of waste and recycle them responsibly to promote the sustainable reuse of material resources. Home users should contact the dealer where they purchased this product or the Environment Agency for details on where and how they can take these items for environmentally safe recycling. Business users should contact their vendor and check the terms and conditions of the purchase agreement. This product and its electronic accessories should not be mixed with other commercial waste.
	
	This marking indicates that the product and electronic accessories (eg. charger, USB cable, electronic material, controls, etc.) are susceptible to electric shock. Be cautious when handling the product and observe all safety procedures in this manual.

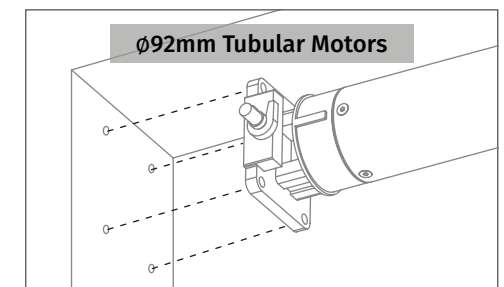
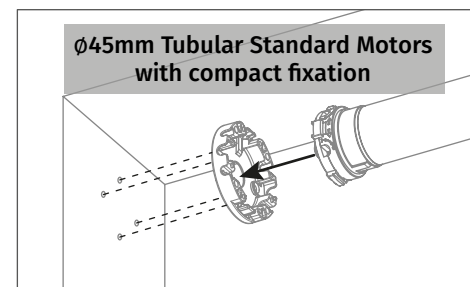
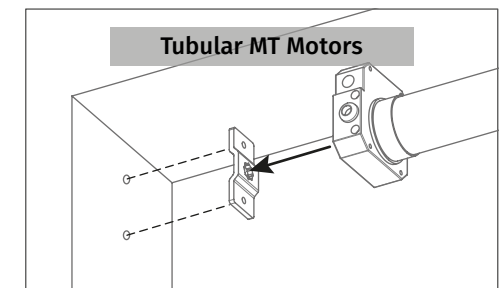
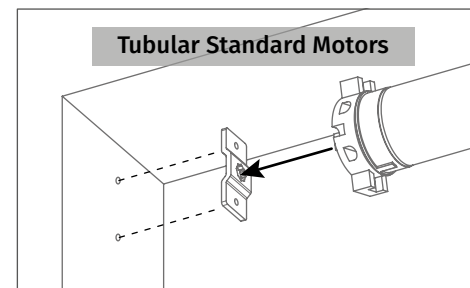
- It is important for your safety that these instructions are followed.
- Keep these instructions in a safe place for future reference.
- The **ELECTROCELOS S.A.** is not responsible for the improper use of the product, or other use than that for which it was designed.
- The **ELECTROCELOS S.A.** is not responsible if safety standards were not taken into account when installing the equipment, or for any deformation that may occur.
- The **ELECTROCELOS S.A.** is not responsible for insecurity and malfunction of the product when used with components that were not sold by the them.
- This product was designed and manufactured strictly for the use indicated in this manual.
- Any other use not expressly indicated may damage the product and/or can cause physical and property damages, and will void the warranty.
- Do not make any changes to the automation components and/or their accessories.
- Keep remote controls away from children, to prevent the automated system from being activated involuntarily.
- The customer shall not, under any circumstances, attempt to repair or tune the automatism. Must call qualified technician only.
- The installer must have certified professional knowledge at the level of mechanical assemblies in doors and gates and control board programming. He should also be able to perform electrical connections in compliance with all applicable regulations.
- The installer should inform the customer how to handle the product in an emergency and provide him the manual.

02. INSTALLATION

PLACING THE MOTOR ON THE WALL



- A** • Plate for fixing all the TUB20 e TUB20E FRA motors.
- B** • Plate for fixing Ø45mm compact motors.
- C** • Plate for fixing Ø35mm and Ø45mm, Standard and MT (handle) motors.
- D** • Plate for fixing Ø59mm Standard motors.
- E** • Plate for fixing the motors with a Ø45mm compact fixation.



- 01 • Place the fixing accessory on the wall and mark the holes to fix it.
- 02 • Drill the holes and apply adapter sleeves for the screws to be used.
- 03 • Secure the accessory on the wall. For Ø92mm TUB, fix the motor directly because it doesn't need accessory.
- 04 • Apply the motor on the accessory. When using C or D accessories, use a pin to hold it.

02. INSTALLATION

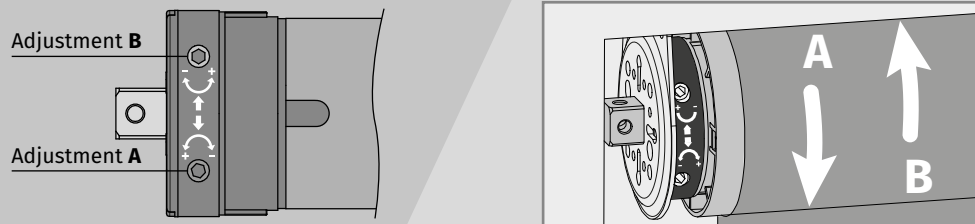
LIMIT SWITCHES

Before you start to tune the limit switches, confirm the orientation of your engine tuning arrows. This may have one or two possible orientations on the same motor: arrows going in or out. In any position, the adjustment A rotates the tube from the top to the bottom and the adjustment B rotates from the upwards. Any of the adjustments could be opening or closing depending on the winding of the canvas (indoor or outdoor winding).

POSITION 1 ARROWS INWARDS

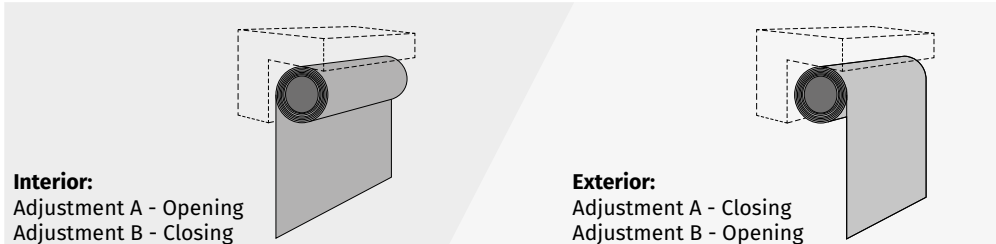


POSITION 2 ARROWS OUTWARDS



• WINDING

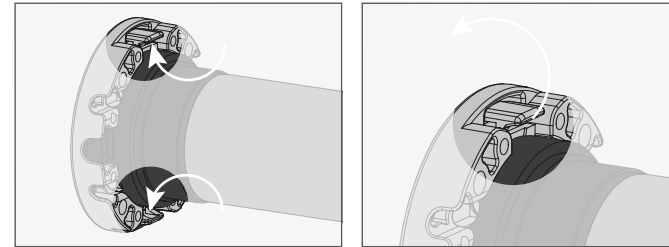
The canvas can wrap through the interior or the exterior side. The direction will determine whether opening / closing is tuned in A or B.



ATTENTION: All information given on this page is compatible with engines fitted with the head on the left side. If you want to install on the right side, turn the information.

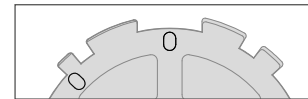
03. ADDITIONAL INFORMATION

DISMANTLING COMPACT ACCESSORY

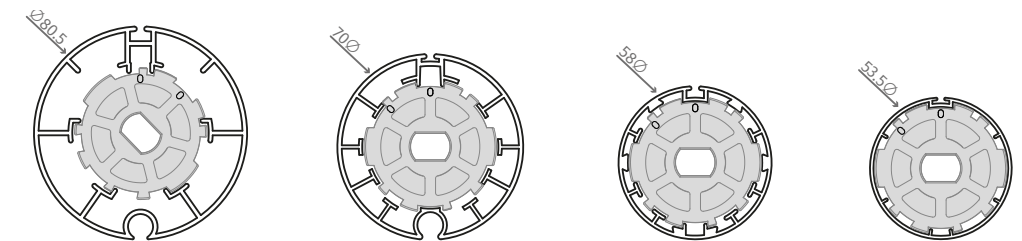


Disassemble the motor from the compact mounting accessory. Just open the tabs as shown in the figure in order to release the motor.

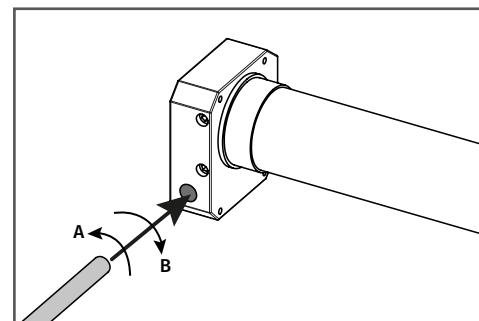
INSTALLATION WITH ACCESSORY



Note: Both on the front and in the back adapter, there are two marks to guide the assembly in each tube, in accordance with the following schemes.

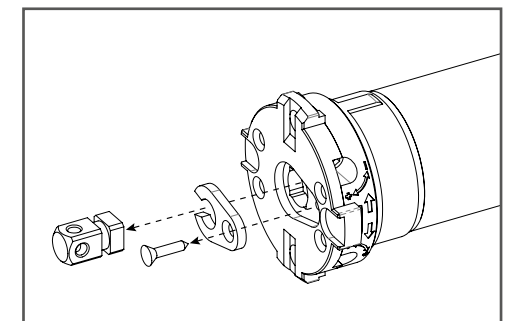


CRANK USAGE



A - Rotate the crank in the direction A to close.
B - Rotate the crank in the direction B to open.

REMOVER QUADRA DE SUPORTE



Loosen the screw to remove the support square shaft.